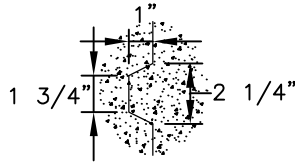


① For standard keyway see Std. Plate No. 1141.



KEYWAY ALTERNATE ①

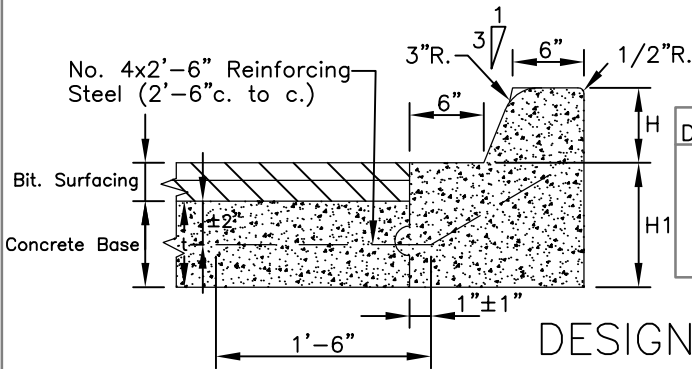


TABLE OF CUBIC YARDS PER LINEAL FOOT

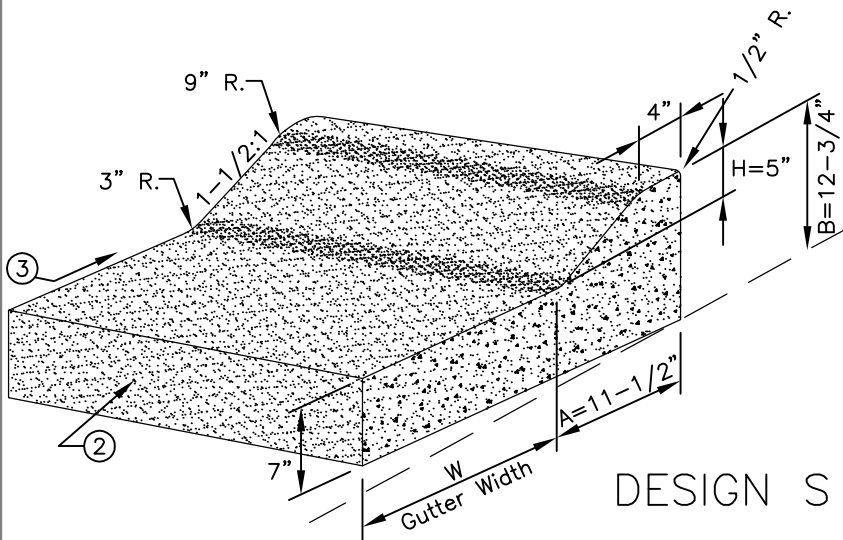
Dimension "H"	6"	7"	8"	9"	10"
8"	0.0394	0.0423	0.0449	0.0481	0.0512
9"	0.0430	0.0460	0.0487	0.0519	0.0552
10"	0.0460	0.0497	0.0524	0.0558	0.0591
11"	0.0502	0.0534	0.0562	0.0596	0.0631
12"	0.0538	0.0571	0.0599	0.0635	0.0671

DESIGN BR H-H₁
(EXAMPLE BR 6-9)

DESIGN D

FOR DESIGN D CURB AND GUTTER

SEE LV-ST-2



② L2KT and I2KTB Joint when adjacent to rigid pavement or base. See Std. Plates 1140 & 1141 for joint and keyway.

③ Slope 3/4" per ft. normal unless otherwise stated.

Design No.	W Gutter Width	Concrete	
		Cu. Yds. Per Lin. Ft.	Lin. Ft. Per Cu. Yds.
S 512	12-1/2"	0.0541	18.5
S 518	18-1/2"	0.0649	15.4
S 524	24-1/2"	0.0757	13.2
S 530	30-1/2"	0.0865	11.6
S 536	36-1/2"	0.0973	10.3

DESIGN S

DESIGN BR
DESIGN D
DESIGN S

All curb slope measurements are in relation to adjacent gutter slope.

APPROVED Apr. 5, 1989

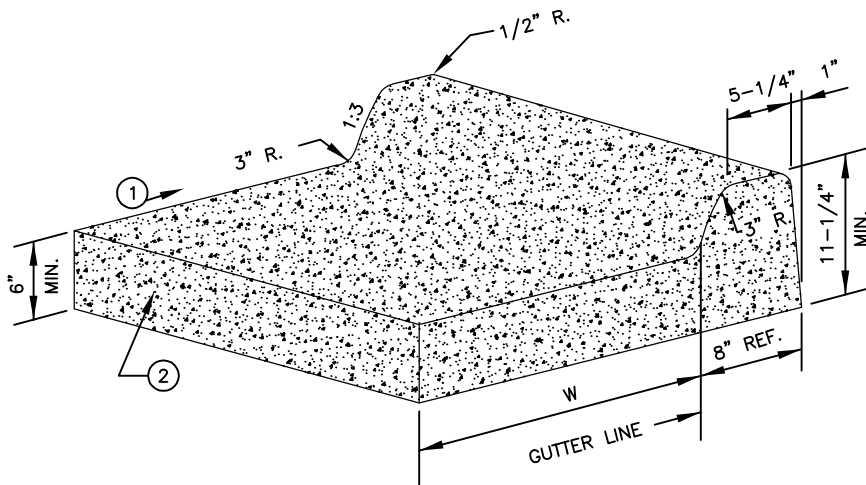
R.H. Sullivan
Director
Materials, Research and
Standards

STATE OF MINNESOTA
DEPARTMENT OF TRANSPORTATION

CONCRETE CURB AND GUTTER
(DESIGN BR, DESIGN D, and DESIGN S)

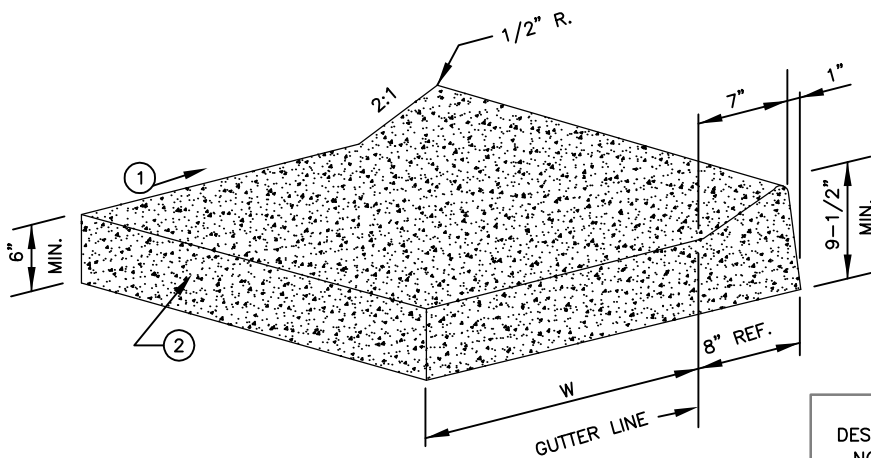
SPECIFICATION
REFERENCE
2531

STANDARD
PLATE
NO.
7102H
(1 of 2)



DESIGN NO.	W GUTTER WIDTH	CONCRETE	
		CU. YDS. PER LIN. FT.	LIN. FT. PER CU. YD.
D 512	12"	.0389	25.7
D 518	18"	.0482	20.7
D 524	24"	.0575	17.4

DESIGN B5



DESIGN NO.	W GUTTER WIDTH	CONCRETE	
		CU. YDS. PER LIN. FT.	LIN. FT. PER CU. YD.
D 312	12"	.0335	29.9
D 318	18"	.0428	23.4
D 324	24"	.0521	19.2

DESIGN D3

- ① SLOPE 3/4" PER FT. NORMAL UNLESS OTHERWISE SPECIFIED.
- ② L2KT AND L2KTB JOINT WHEN ADJACENT TO RIGID PAVEMENT OF BASE. SEE STD. PLATES 1140 AND 1141 FOR JOINT AND KEYWAY.

DESIGN B5
DESIGN D3

APPROVED April 5, 1989

R.H. Sullivan

Director
Materials, Research and
Standards

STATE OF MINNESOTA
DEPARTMENT OF TRANSPORTATION

CONCRETE CURB AND GUTTER
(DESIGN B5 and DESIGN D3)

SPECIFICATION
REFERENCE

2531

STANDARD
PLATE
NO.

7102H
(2 of 2)