

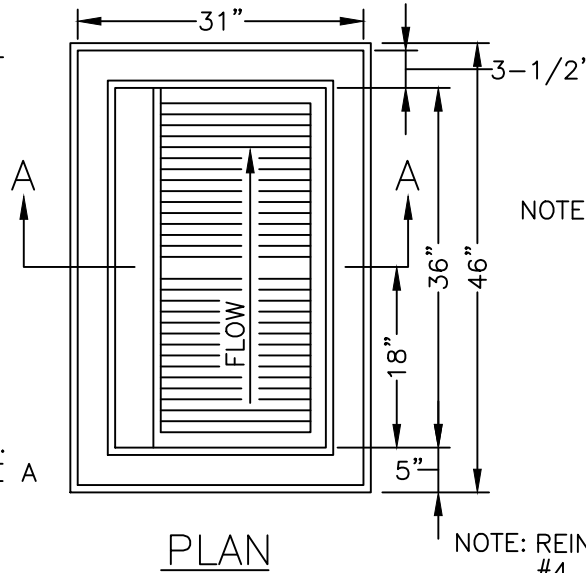
CURB INLET FRAME AND CURB BOX NEENAH NO. R-3067-V AND 2" RADIUS CURB BOX.

LONGITUDINAL SLOPES SHALL HAVE A TYPE V GRATE.

LOW POINTS SHALL HAVE A TYPE "V BI-DIRECTIONAL GRATE".

FLOW LINE SHALL BE MIN. 0.62' BELOW TOP OF CURB.

MIN, 2 CONCRETE ADJUSTING RINGS. MAX OF 1' OF RINGS. THE CONTRACTOR SHALL USE A 6" ADJUSTING RING IF THE REQUIRED ADJUSTMENT IS BETWEEN 8" AND 1'.



CONCRETE EXTERIOR ENCASEMENT W/4000LB CONCRETE SPEC MIX AND CONNECTION PER 3.04C

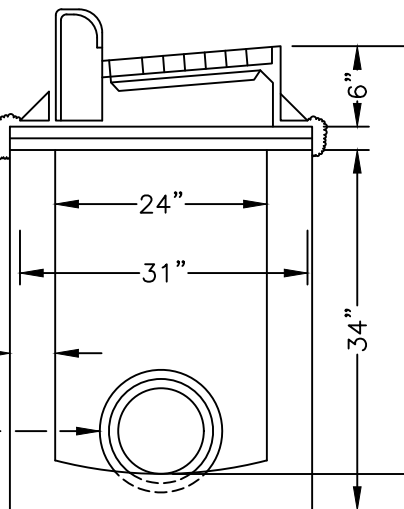
NOTE: ALL 3067 CURB BOXES TO HAVE (DUMP NO WASTE DRAINS TO FRESH WATER) STAMPED ON THEM.

NOTE: REINFORCING TO CONSIST OF #4 BARS AT 8"O.C. BOTH WAYS

4" MIN. CONCRETE COLLAR ON EXTERIOR OF RINGS AND CASTING FLANGE.

ALL GROUT MUST BE AN APPROVED NON-SHRINKABLE GROUT MIX FOR UNDERGROUND CONSTRUCTION.

20" DIAMETER PRECAST OPENING



METAL PLATE TO BE INSTALLED ON ALL INACTIVE SYSTEMS. PLATE TO BE REMOVED WHEN OUTLET IS CONNECTED. USE A DOUBLE LINE OF RAM-NECK GASKET BELOW THE PLATE. PLATE SHALL NOT EXTEND BEYOND STRUCTURE.

ALL PIPE LEADS SHALL EXTEND INTO STRUCTURE A MINIMUM OF 4'.

PRECAST CONCRETE STRUCTURE SHALL BE ACCORDING TO ASTM C-857-87

SECTION A-A

NO SCALE

STEPS ARE REQUIRED IN ALL CATCH BASINS OVER 4' IN DEPTH. IF ≤ 4' INSTALL ONE STEP 16" DOWN FROM TOP OF CASTING.

ALL EXTERIOR JOINTS (BASE TO CONE) SHALL BE SEALED WITH GATOR WRAP BRAND BUTYL WRAP, OR APPROVED EQUAL AT LEAST 12-INCHES WIDE.



STORM SEWER  
SHALLOW CATCH BASIN  
(PRECAST)

PLATE NO. LV-STM-1

DATE 01/2020